

SHURE®

UA874



Active Directional Antenna
Antenne directionnelle active
Aktive Richtantenne
Antena direccional activa
Antenna direttiva attiva
Actieve richtantenne
Активная направленная антенна
Antena Direccional Ativa
Antena Terarah Aktif
アクティブ指向性アンテナ
액티브 지향성 안테나
有源指向性天线
有源指向性天線

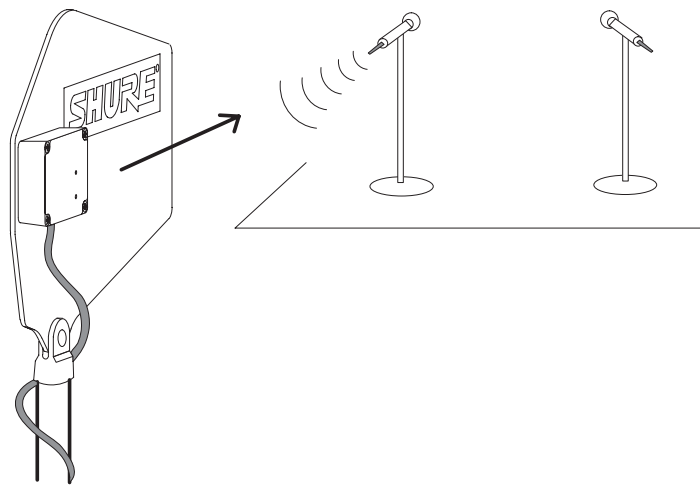


Antenna Placement

Use the following guidelines when mounting antennas:

- Antennas and receivers must be from the same band.
- Mount antennas at least four feet apart.
- Position antennas so there is nothing obstructing a line of sight to the transmitter (including the audience).
- Keep antennas away from large metal objects.

Important: Always perform a "walk around" test to verify coverage before using a wireless system during a speech or performance. Experiment with antenna placement to find the optimum location. If necessary, mark "trouble spots" and ask presenters or performers to avoid those areas.



Setting Gain

The gain setting should only be used to compensate for the calculated cable signal loss. Additional signal gain does not mean better RF performance. Too much gain actually reduces reception range and the number of available channels. This is because Shure receivers are optimized to deliver the best performance when the sum of signal gain and cable loss equals 0 dB. Additional gain just amplifies everything in the RF range—including interference and ambient RF noise. It cannot selectively increase the signal from the transmitter.

- Use the lowest gain setting necessary to achieve good reception of the transmitter RF signal, as indicated on the receiver's RF LED or meter.
- Only increase the gain setting to compensate for the calculated cable loss.
- The -6 dB gain setting can be useful for applications with short cable runs (25 feet or less) and where the distance between the transmitter and antenna is less than 100 feet.
- Reduce gain if the antenna RF Overload LED illuminates—the signal is strong enough, so gain is not needed.

Recommend Gain Settings

Use the following chart as a guideline for setting gain based on cable type where the distance from the antenna to the transmitter is greater than 100 feet.

NOTE: For installations where the antenna is less than 75 feet from the transmitter, lower the gain setting one step.

Cable Length	Gain Setting (based on cable type)			
	RG58*	RG8X	RG213/ RG8	Low-loss RG8/ RG213**
10' (3 m)	0	0	0	0
25' (8 m)	+6*	0	0	0
50' (15 m)	*	+6	+6	0
100' (30 m)	*	+12	+6	+6

* RG58 cable has high signal loss and is not recommended for cable runs greater than 10 feet

** Low-loss RG8/RG213 cables include Times Microwave Systems LMR400 and Belden 9913 or 7810A

Find More Information Online

For setup tips and more information on wireless accessories, visit <http://www.shure.com/WirelessAccessoryWizard>

Specifications

Connector Type

BNC, Female

Impedance

50 Ω

Power Requirements

10 to 15 V DC bias from coaxial connection, 75 mA

RF Frequency Range

UA874US	470–698 MHz
UA874E	470–790 MHz
UA874WB	470–900 MHz
UA874X	925–952 MHz

Reception Pattern

3 dB Beam Width

70 degrees

Third-order Overload Intercept Point (OIP3)

>30 dBm

Antenna Gain

On Axis

7.5dBi

Signal Gain

± 1 dB, Switchable

+12 dB

+6 dB

0 dB

-6 dB

RF Overload LED Threshold

-5 dBm

RF overload LED does not operate for passive gain settings

Dimensions

UA874	316 x 359 x 36 mm (H x W x D)
UA874X	224 x 234 x 36 mm (H x W x D)

Weight

UA874	317 g (11.2 oz.)
UA874X	213 g (7.5 oz.)

Operating Temperature Range

-18°C (0°F) to 63°C (145°F)

Storage Temperature Range

-29°C (-20°F) to 74°C (165°F)

Certifications

Meets essential requirements of the following European Directives:

- R&TTE Directive 99/5/EC
- WEEE Directive 2002/96/EC, as amended by 2008/34/EC
- RoHS Directive 2002/95/EC, as amended by 2008/35/EC

Note: Please follow your regional recycling scheme for batteries and electronic waste

Meets requirements of the following standards: EN60065, EN 301 489 Parts 1 and 9.

The CE Declaration of Conformity can be obtained from Shure Incorporated or any of its European representatives. For contact information please visit www.shure.com

The CE Declaration of Conformity can be obtained from: www.shure.com/europe/compliance

Authorized European representative:

Shure Europe GmbH

Headquarters Europe, Middle East & Africa

Department: EMEA Approval

Jakob-Dieffenbacher-Str. 12

75031 Eppingen, Germany

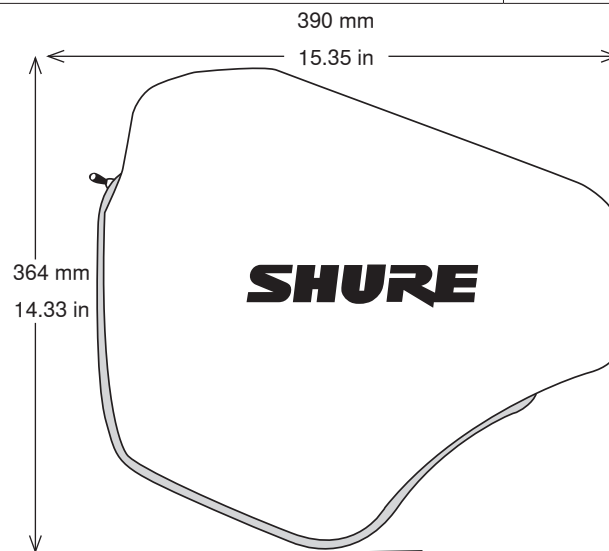
Phone: 49-7262-92 49 0

Fax: 49-7262-92 49 11 4

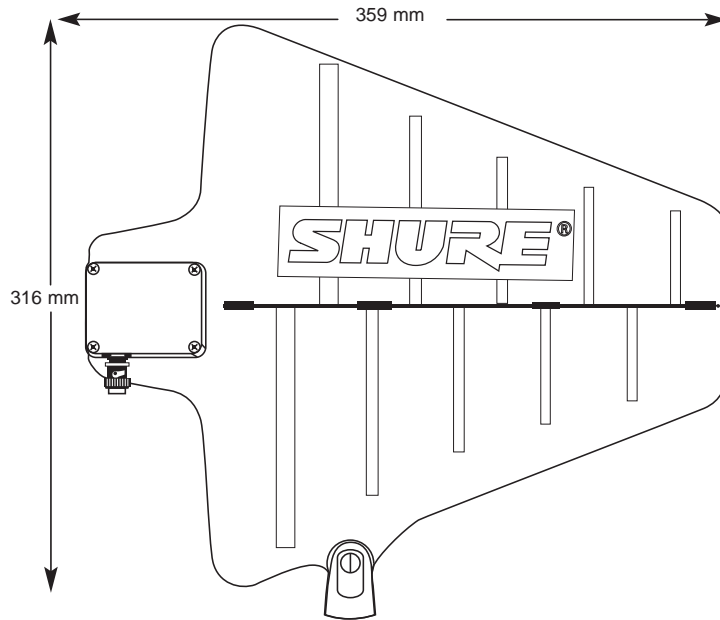
Email: EMEAsupport@shure.de

Optional Accessories

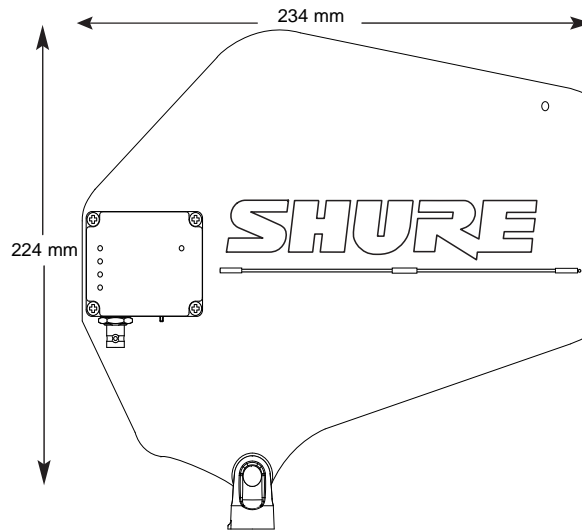
Protective zipper pouch	WA874ZP
-------------------------	---------



DIMENSIONS



UA874US
UA874E
UA874WB



UA874X